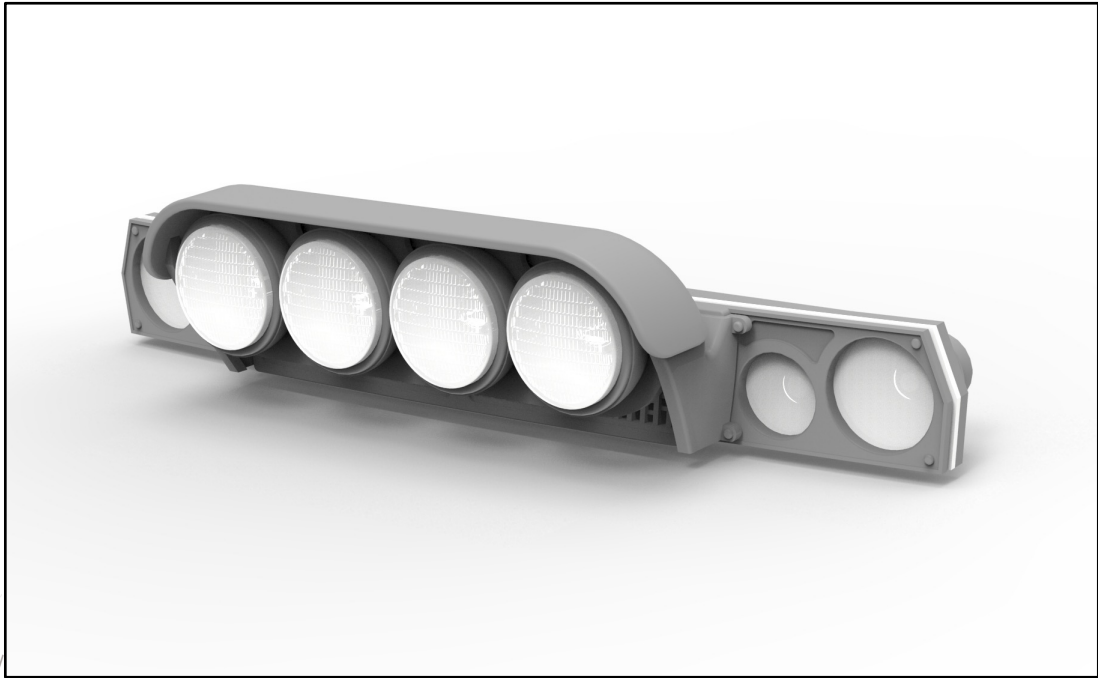




**KNIGHT**<sup>®</sup>  
C U S T O M S



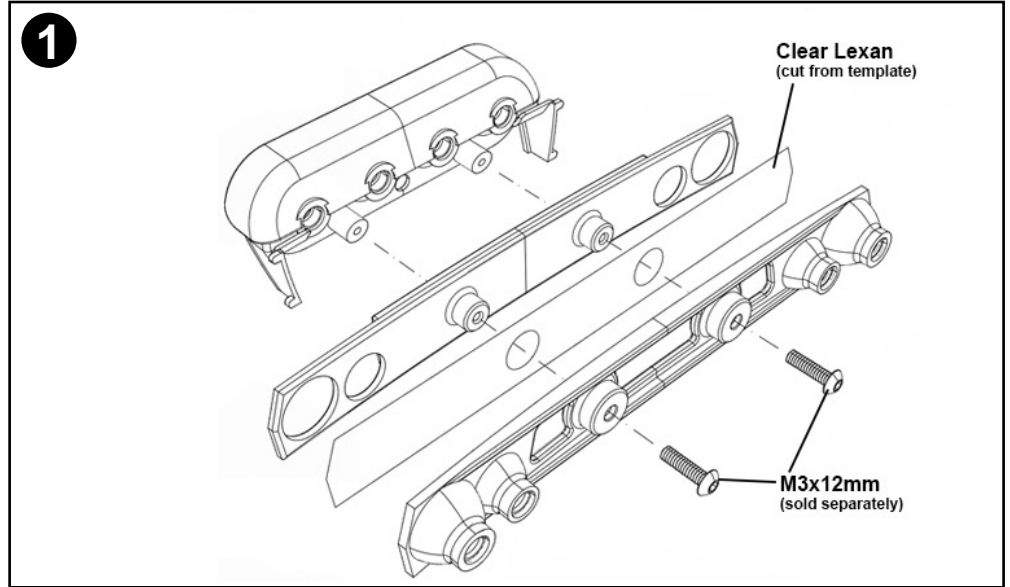
## Lancia Delta Grill & Light Pod manual

**1**

Grill with light pod.

Assemble as shown

**NOTE:** use scrap Lexan and the template to create the lens

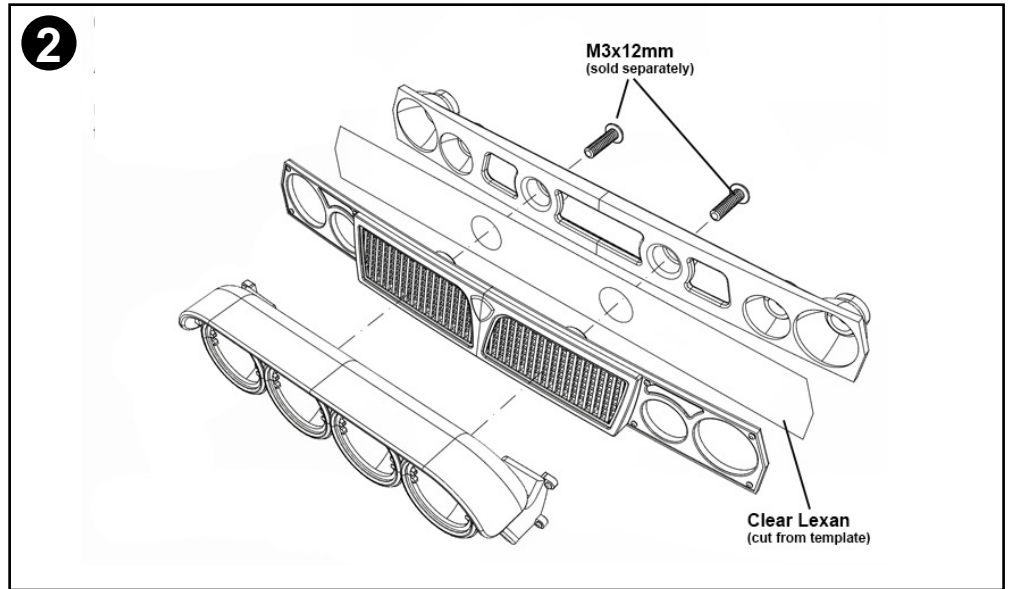


**2**

Grill with light pod.

Assemble as shown

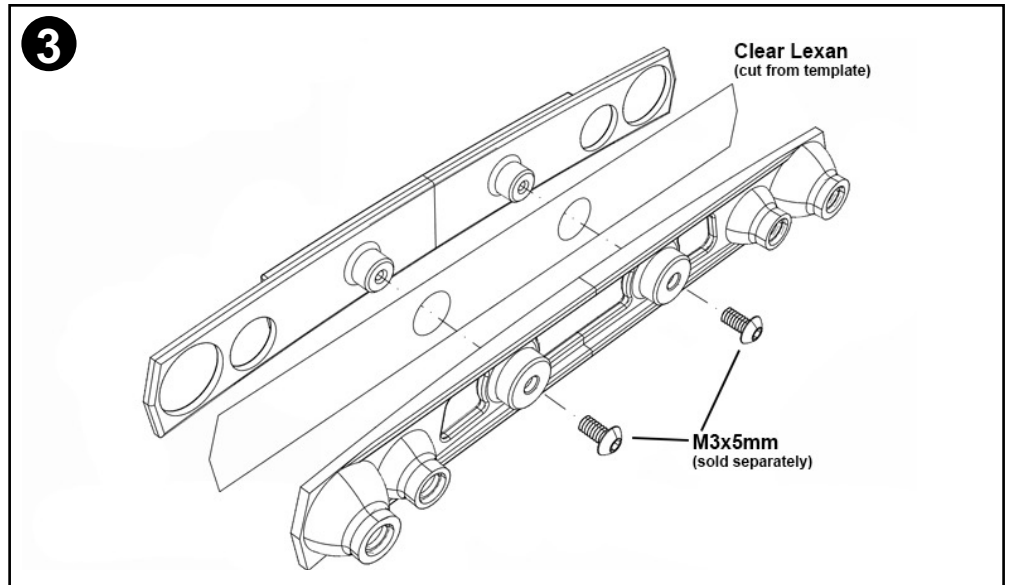
**NOTE:** Lens for the main spot light pod should be printed in clear PETG. Or for best results use Axial Light Bar clear lenses – AX80086.



**3**

Grill only.

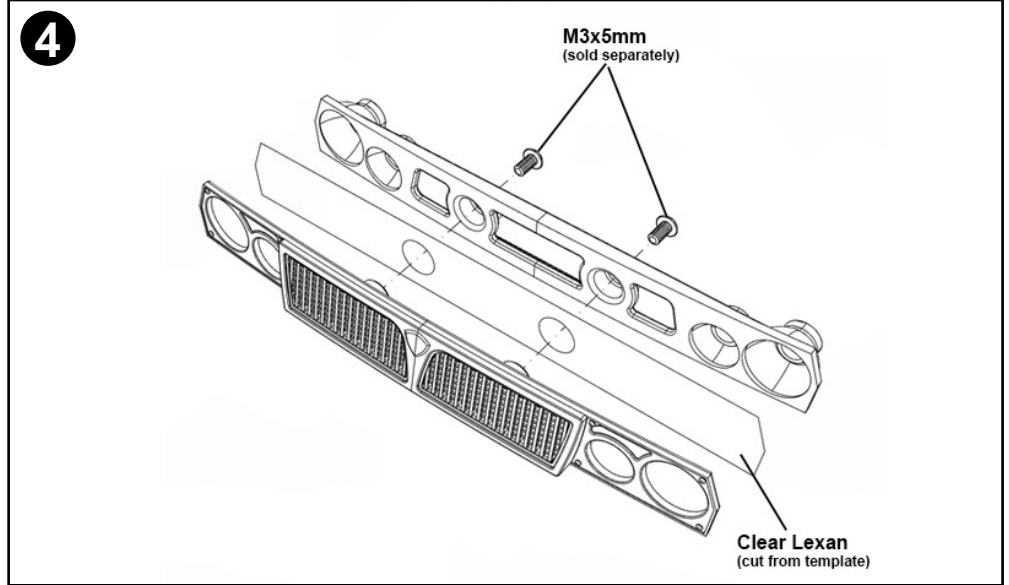
Assemble as shown



**4**

Sub assembly of the rear body for the Short Wheel Base variant.

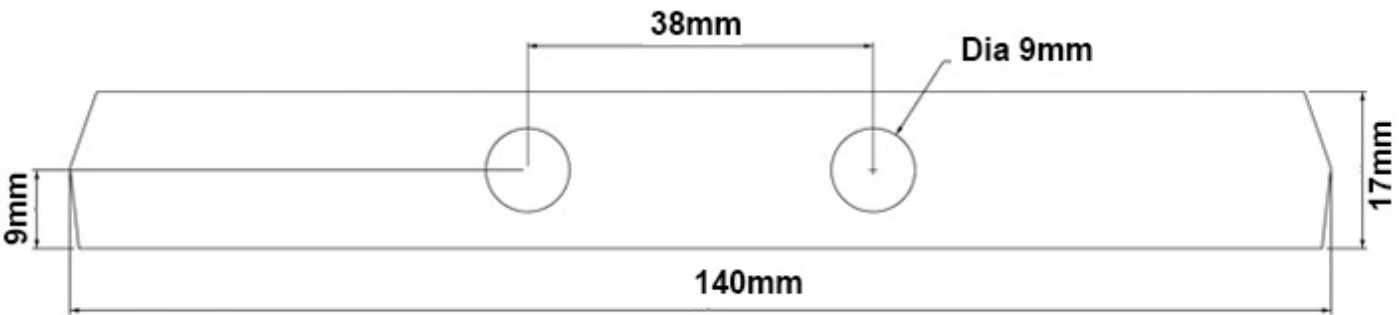
**NOTE:** Remove the lower cage cross brace to fit to the lower fuel tank.



**5**

Template for Lexan lens

**5**



**Congratulations, your Lancia Delta Grill & light pod is complete.**

**Note:** If you are printing this conversion set, we recommend Bambu Lab PLA Matte for best results, however PLA has a lower melting point and you should not leave your interior stationary in direct sunlight for extended periods. Doing so might cause parts to warp or deform.